

MATERIALS AND FINISHES:

J CONTACT BeCu
PLATED GOLD

INSULATOR TEFLON

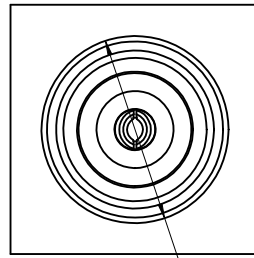
I PART NO: 73366-0060/73366-0062/73366-0063/73366-0064

H BODY BRASS
PLATED NICKEL

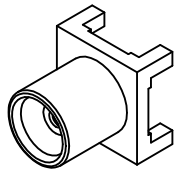
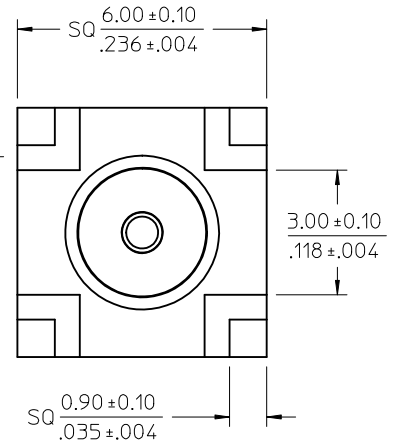
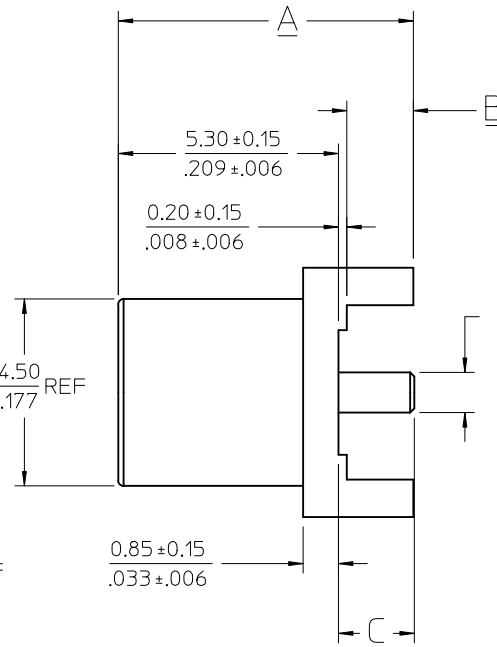
H PART NO: 73366-0061/73366-0065/73366-0066

H BODY BRASS
PLATED GOLD

G PART NO 73366-0062/73366-0064/7336-0066
PACKAGING WITH TAPE & REEL
SEE SHEETS 2 & 3 FOR PACKAGING
INSTRUCTIONS

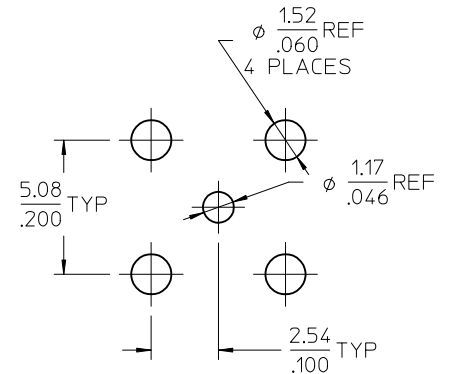


ϕ 4.50
.177 REF



SEE SD-73366-619 FOR CONTINUATION OF TABULATION

E	73366-0068	.280±.006	7.10±0.15	.062±.006	1.57±0.15	.073±.006	1.86±0.15	73366-0060,SMALL TRAY
	73366-0067	.280±.006	7.10±0.15	.062±.006	1.57±0.15	.073±.006	1.86±0.15	1 PC 73366-0060 PER BAG
	73366-0066	.236±.006	5.99±0.15	.019±.006	0.5±0.15	.031±.006	0.8±0.15	TAPE & REEL
	73366-0065	.236±.006	5.99±0.15	.019±.006	0.5±0.15	.031±.006	0.8±0.15	BY BAG
D	73366-0064	.236±.006	5.99±0.15	.019±.006	0.5±0.15	.031±.006	0.8±0.15	TAPE & REEL
	73366-0063	.236±.006	5.99±0.15	.019±.006	0.5±0.15	.031±.006	0.8±0.15	BY BAG
	73366-0062	.280±.006	7.10±0.15	.062±.006	1.57±0.15	.073±.006	1.86±0.15	TAPE & REEL
	73366-0061	.280±.006	7.10±0.15	.062±.006	1.57±0.15	.073±.006	1.86±0.15	BY BAG
C	73366-0060	.280±.006	7.10±0.15	.062±.006	1.57±0.15	.073±.006	1.86±0.15	BY BAG

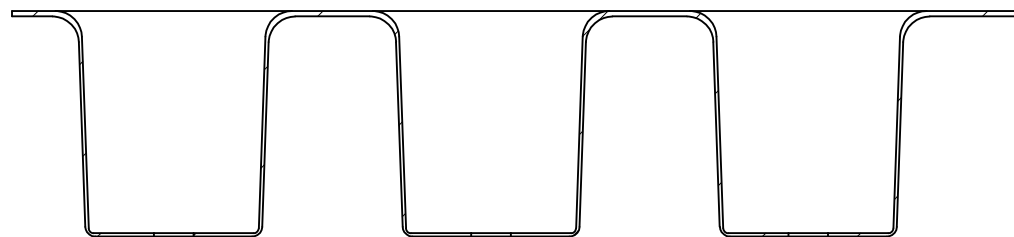
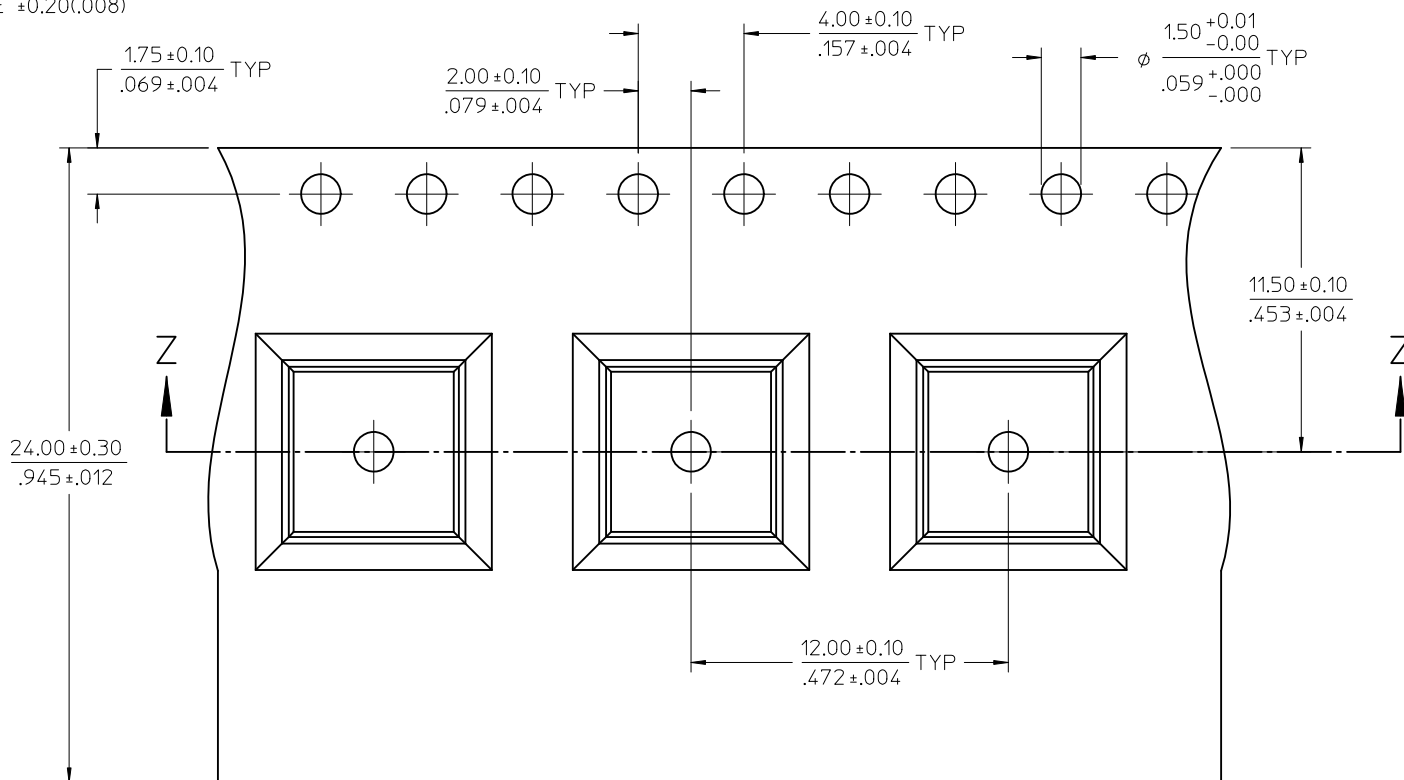


SUGGESTED PCB LAYOUT

	IN	MM	IN	MM	IN	MM	PACKAGE	PS-73598-0132	ELECTRO/MECH PERFORM.
PART NO.	A		B		C			SPECIFICATION	DESCRIPTION

B	CHG: ADDED NOTE FOR 73366-619X FOR CONTINUATION. EC NO: URF2010-0369 DRWN:ROBERTSON 2009/10/14 CHKD:SSS 2009/12/18 APPR: WIENER 2009/12/18 REV: B8	QUALITY SYMBOLS	GENERAL TOLERANCES (UNLESS SPECIFIED)	DIMENSION STYLE	SCALE	DESIGN UNITS	THIRD ANGLE PROJECTION															
		$\nabla=0$ $\nabla=0$	<table border="1"> <tr> <th></th> <th>mm</th> <th>INCH</th> </tr> <tr> <td>4 PLACES</td> <td>± ---</td> <td>± ---</td> </tr> <tr> <td>3 PLACES</td> <td>± ---</td> <td>± ---</td> </tr> <tr> <td>2 PLACES</td> <td>± ---</td> <td>± ---</td> </tr> <tr> <td>1 PLACE</td> <td>± ---</td> <td>± ---</td> </tr> </table>		mm	INCH	4 PLACES	± ---	± ---	3 PLACES	± ---	± ---	2 PLACES	± ---	± ---	1 PLACE	± ---	± ---	MM/IN	SCALE	METRIC	<input checked="" type="checkbox"/> THIRD ANGLE PROJECTION
			mm	INCH																		
		4 PLACES	± ---	± ---																		
3 PLACES	± ---	± ---																				
2 PLACES	± ---	± ---																				
1 PLACE	± ---	± ---																				
DRAWN BY	DATE	TITLE																				
DRAWN BY: LYNN CHECKED BY: JOHNSON APPROVED BY: MISEN	DATE: 2001/04/03 DATE: 2001/04/03 DATE: 2001/04/03	MCX JACK VERT PCB TH 50 OHMS EWR-3263 MCX-J/PCB																				
A			DRAFT WHERE APPLICABLE MUST REMAIN WITHIN DIMENSIONS	SEE TABLE		MOLEX INCORPORATED	SD-73366-006	SHEET NO. 1 OF 3														
						THIS DRAWING CONTAINS INFORMATION THAT IS PROPRIETARY TO MOLEX INCORPORATED AND SHOULD NOT BE USED WITHOUT WRITTEN PERMISSION																

NOTE:
 1. 10 PITCHES CUMULATIVE TOLERANCE ±0.20(.008)



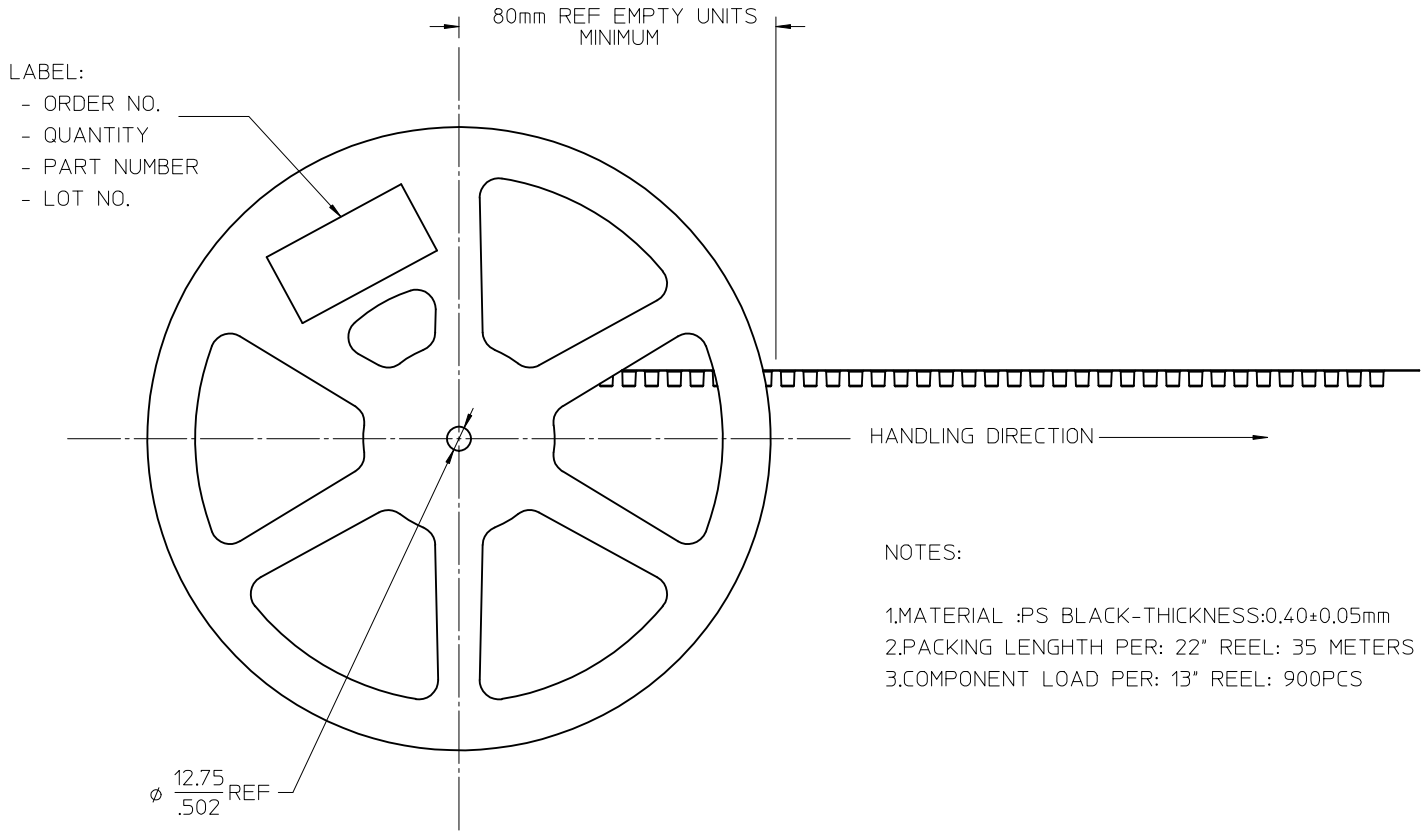
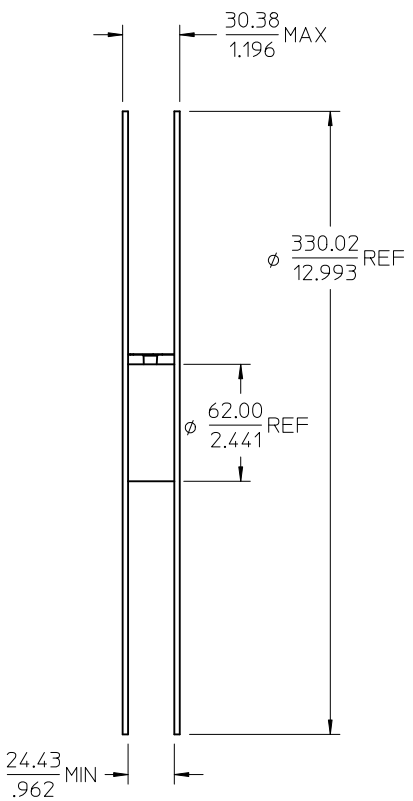
SECTION Z-Z

CHG: SEE SHEET 1 EC NO: URF2010-0369 DRWN: ROBERTSON 2009/10/14 CHKD: SSS 2009/12/18 APPR: WIENER 2009/12/18	QUALITY SYMBOLS ▽=0 ▽=0	GENERAL TOLERANCES (UNLESS SPECIFIED)		DIMENSION STYLE MM/IN	SCALE METRIC	THIRD ANGLE PROJECTION		
		4 PLACES ± --- ± --- 3 PLACES ± --- ± --- 2 PLACES ± --- ± --- 1 PLACE ± --- ± ---	mm INCH --- --- --- --- --- ---	DRAWN BY LYNN	DATE 2001/04/03		TITLE MCX JACK VERT PCB TH 50 OHMS EWR-3263 MCX-J/PCB	
		ANGULAR ± 2 °		CHECKED BY JOHNSON	DATE 2001/04/03		APPROVED BY MISEN	DATE 2001/04/03
		DRAFT WHERE APPLICABLE MUST REMAIN WITHIN DIMENSIONS		MATERIAL NO. SEE SHEET 1			DOCUMENT NO. SD-73366-006	SHEET NO. 2 OF 3



MOLEX INCORPORATED

THIS DRAWING CONTAINS INFORMATION THAT IS PROPRIETARY TO MOLEX INCORPORATED AND SHOULD NOT BE USED WITHOUT WRITTEN PERMISSION



LABEL:
- ORDER NO.
- QUANTITY
- PART NUMBER
- LOT NO.

NOTES:
1.MATERIAL :PS BLACK-THICKNESS:0.40±0.05mm
2.PACKING LENGTH PER: 22" REEL: 35 METERS
3.COMPONENT LOAD PER: 13" REEL: 900PCS

CHG: SEE SHEET 1
EC NO: URF2010-0369
DRWN:ROBERTSON 2009/10/14
CHKD:SSS 2009/12/18
APPR:WIENER 2009/12/18

REV	DESCRIPTION
B8	

QUALITY SYMBOLS		
▽=0		
▽=0		

GENERAL TOLERANCES (UNLESS SPECIFIED)	
mm	INCH
4 PLACES ± .---	± .---
3 PLACES ± .---	± .---
2 PLACES ± .---	± .---
1 PLACE ± .---	± .---
ANGULAR ± 2 °	

DIMENSION STYLE		SCALE	DESIGN UNITS	THIRD ANGLE PROJECTION
MM/IN			METRIC	
DRAWN BY	DATE	TITLE		
LYNN	2001/04/03	MCX JACK VERT PCB TH 50 OHMS EWR-3263 MCX-J/PCB		
CHECKED BY	DATE	MOLEX INCORPORATED		
JOHNSON	2001/04/03			
APPROVED BY	DATE	DOCUMENT NO.		
MISEN	2001/04/03	SD-73366-006		
MATERIAL NO.		SHEET NO.		
SEE SHEET 1		3 OF 3		